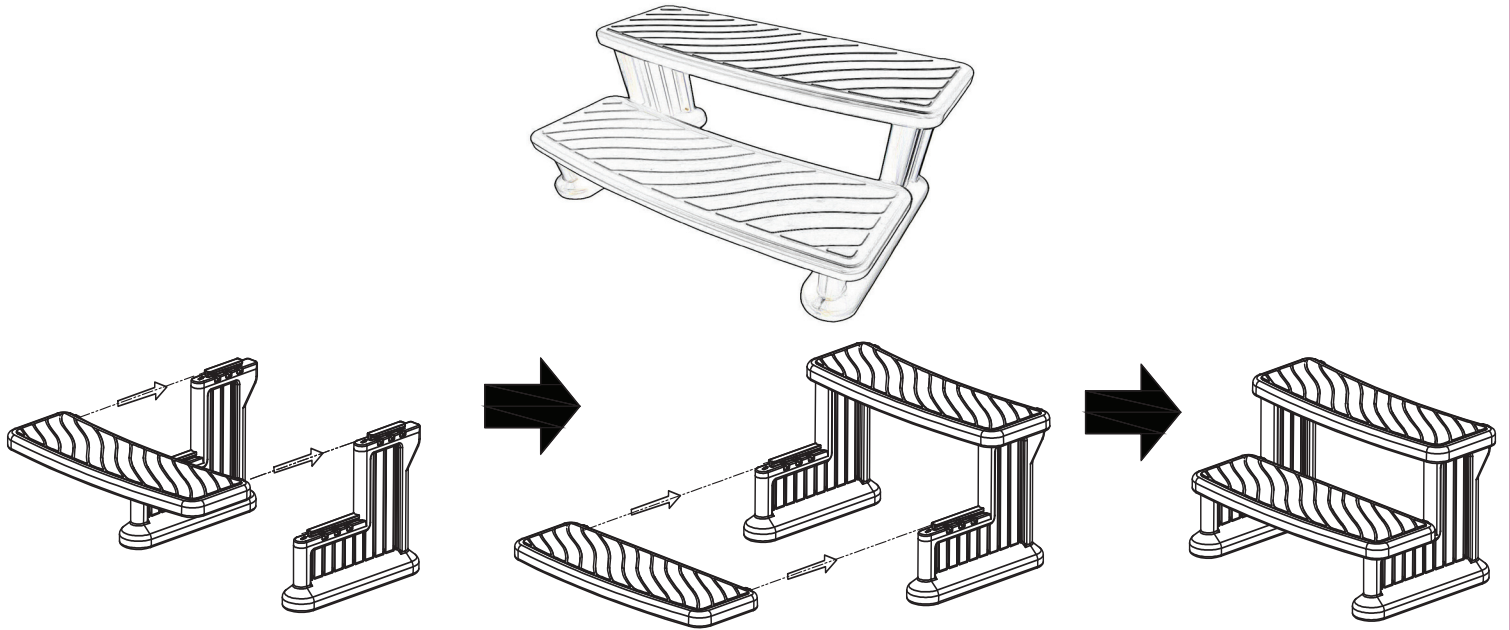


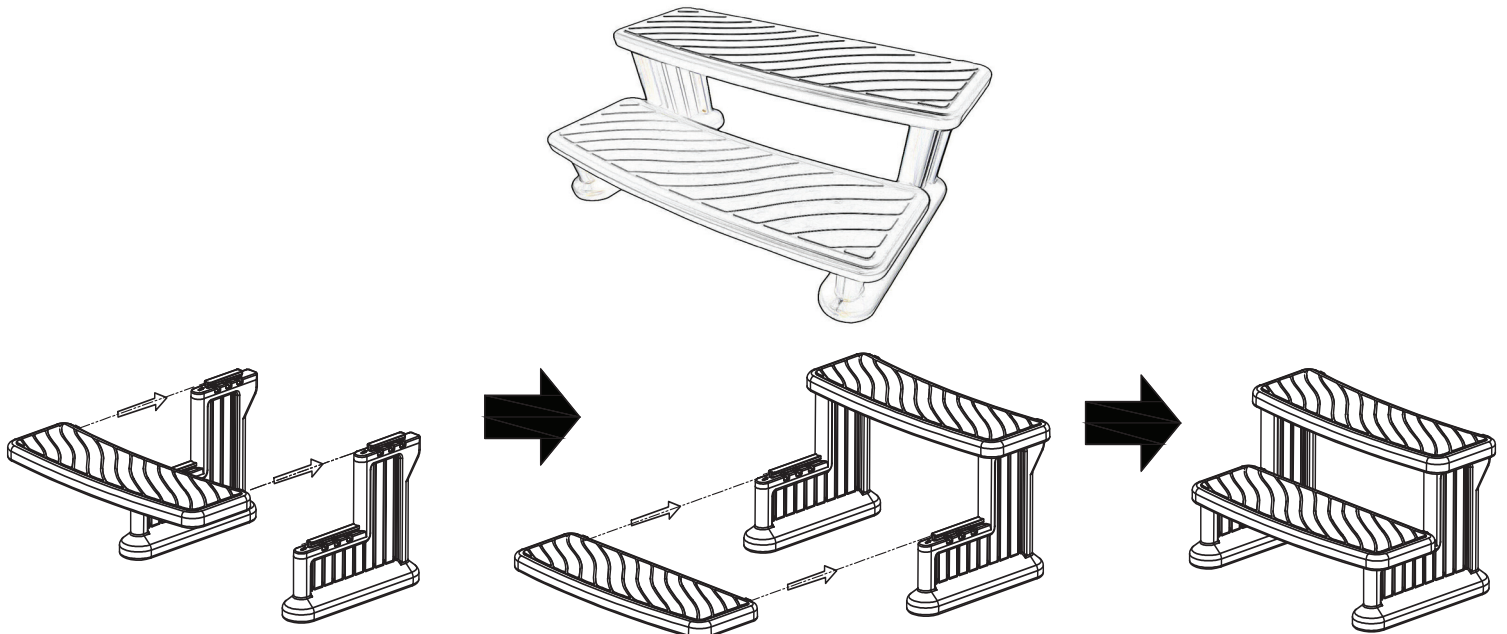
Spa Side Step



ASM Manufacturing LLC / Cover Butler
4956 W 6200 S, #312
Kearns, UT 84118

Revision 3/12/2024

Spa Side Step



ASM Manufacturing LLC / Cover Butler
4956 W 6200 S, #312
Kearns, UT 84118

Revision 3/12/2024

Spa Step One Year Warranty

ASM Manufacturing LLC warrants this product to be free from defects in workmanship and material, under normal use and service conditions for a One Year Period This warranty extends only to the original purchaser.

What we will do to help with warranty replacement, we will repair or replace the product subject to receiving acceptable photos and or the defective parts shipped to us freight prepaid. Our warranty does not include the return shipping cost of the replacement parts and /or a step. This warranty does not extend to any product or damage to a product caused by or attributable to freight damage, abuse, misuse, improper or abnormal usage or Specifically for commercial, rental purposes and or used as store display models. No other warranty beyond that specifically set forth above is authorized and we are not responsible or liable for indirect, special or consequential damages arising out of or in connection with the use or performance of the product or damages with respect to any economic loss, loss of property, loss or revenues or profits, loss of enjoyment or use, costs of removal, installation or other consequential damages of whatsoever nature.

Some states do not allow the exclusion or limitation of incidental or consequential damages. Accordingly, the above limitation may not apply to you. The warranty extended hereunder is in lieu of any and all other warranties and any implied warranties for a particular purpose is limited in its scope and duration to the terms set forth herein.

Some states do not allow limitations on how long an implied warranty lasts. Accordingly, the above limitation may not apply to you. This warranty gives you specific legal rights. You may also have other rights which vary from state to state.

Spa Step One Year Warranty

ASM Manufacturing LLC warrants this product to be free from defects in workmanship and material, under normal use and service conditions for a One Year Period This warranty extends only to the original purchaser.

What we will do to help with warranty replacement, we will repair or replace the product subject to receiving acceptable photos and or the defective parts shipped to us freight prepaid. Our warranty does not include the return shipping cost of the replacement parts and /or a step. This warranty does not extend to any product or damage to a product caused by or attributable to freight damage, abuse, misuse, improper or abnormal usage or Specifically for commercial, rental purposes and or used as store display models. No other warranty beyond that specifically set forth above is authorized and we are not responsible or liable for indirect, special or consequential damages arising out of or in connection with the use or performance of the product or damages with respect to any economic loss, loss of property, loss or revenues or profits, loss of enjoyment or use, costs of removal, installation or other consequential damages of whatsoever nature.

Some states do not allow the exclusion or limitation of incidental or consequential damages. Accordingly, the above limitation may not apply to you. The warranty extended hereunder is in lieu of any and all other warranties and any implied warranties for a particular purpose is limited in its scope and duration to the terms set forth herein.

Some states do not allow limitations on how long an implied warranty lasts. Accordingly, the above limitation may not apply to you. This warranty gives you specific legal rights. You may also have other rights which vary from state to state.